

## Wheels and castors with pneumatic tyres and super-elastic solid rubber tyres





## Selection tool

### Wheels and castors with pneumatic tyres and super-elastic solid rubber tyres



Series	PK	P	PS	VLE
<b>Tread / tyre</b>	Pneumatic tyres, 2 ply rating	Pneumatic tyres, 2 or 4 ply rating	Pneumatic tyres, 6–10 ply rating	Super elastic solid rubber *
<b>Tread and tyre hardness</b>	60 Shore A	60 Shore A	60 Shore A	70 Shore A
<b>Non-marking</b>	–	optional	–	optional
<b>Electrical conductivity</b>	–	–	–	optional
<b>Wheel centre / rim</b>	polypropylene	pressed steel	heavy pressed steel	heavy pressed steel
<b>Wheel Ø</b>	200–400 mm	180–415 mm	300–536 mm	250–525 mm
<b>Load capacity up to</b>	250 kg	525 kg	1,300 kg	1,885 kg
<b>Smooth operation and floor preservation</b>	■■■■■	■■■■■	■■■■■	■■■■■
<b>Speeds up to</b>	4 km/h	16 km/h	25 km/h	25 km/h
<b>Corrosion-resistant</b>	■■■■■	■■■■■	■■■■■	■■■■■
<b>For a description of the wheel, refer to</b>	page 242	page 243–244	page 246	page 249
<b>For information about swivel and fixed castors, refer to</b>	–	page 245	page 247	page 250–251

■■■■■ excellent   
 ■■■■■ very good   
 ■■■■■ good   
 ■■■■■ satisfactory   
 ■■■■■ adequate   
 ✓ yes    – no

\* 2-component or 3-component tyres

4

# PK series

## Wheels with pneumatic tyres, with synthetic rim



75–250 kg

**Tread and tyre hardness**

60 Shore A

**Smooth operation / floor preservation**

excellent

**Rolling resistance**

good

**Wear resistance**

satisfactory

**Tyre:**

- pneumatic tyre, ribbed or zig-zag profile, hardness 60 Shore A
- 2-ply rating, with inner tube
- excellent floor preservation, particularly quiet operation
- colour black
- operating temperature: -20 °C to +40 °C, reduced load capacity over +30 °C
- the wheel and tyre dimensions provided here apply to new tyres that are not bearing a load. Their width and diameter may change when they are in use.

**Rim:**

- high-quality polypropylene, impact resistant
- colour black

**Other features:**

- high chemical resistance to many aggressive substances, except oils

**Additional details:**

- wheel series: page 64
- tread: page 54
- bearing types: page 84–85
- chemical resistance: page 51

4

Wheels	Wheel Ø (D) [mm]	Tyre width (T2) [mm]	Tyre size	Ply rating	Load capacity at 4 km/h [kg]	Tyre pressure [bar / psi]	Bearing type	Axle bore Ø (d) [mm]	Hub length (T1) [mm]	Profile type
<b>Wheels with ribbed profile</b>										
PK 200/20-60G	200	50	200x50	2	75	2.5 / 36	plain bore	20	60	R01
PK 260/20-75G	260	85	3.00-4	2	150	2.0 / 30	plain bore	20	75	R01
PK 260/25-75G	260	85	3.00-4	2	150	2.0 / 30	plain bore	25	75	R01
PK 260/20-75R	260	85	3.00-4	2	150	2.0 / 30	roller bearing	20	75	R01
PK 260/25-75R	260	85	3.00-4	2	150	2.0 / 30	roller bearing	25	75	R01
PK 260/20-75K	260	85	3.00-4	2	150	2.0 / 30	ball bearing	20	75	R01
PK 300/20-75G	300	100	4.00-4	2	180	2.0 / 30	plain bore	20	75	R01
PK 300/25-75G	300	100	4.00-4	2	180	2.0 / 30	plain bore	25	75	R01
PK 300/20-75R	300	100	4.00-4	2	180	2.0 / 30	roller bearing	20	75	R01
PK 300/25-75R	300	100	4.00-4	2	180	2.0 / 30	roller bearing	25	75	R01
PK 300/20-75K	300	100	4.00-4	2	180	2.0 / 30	ball bearing	20	75	R01
PK 400/20-75G	400	100	4.00-8	2	250	2.0 / 30	plain bore	20	75	R01
PK 400/25-75G	400	100	4.00-8	2	250	2.0 / 30	plain bore	25	75	R01
PK 400/20-75R	400	100	4.00-8	2	250	2.0 / 30	roller bearing	20	75	R01
PK 400/25-75R	400	100	4.00-8	2	250	2.0 / 30	roller bearing	25	75	R01
<b>Wheels with zig-zag profile</b>										
PK 257/20-75G	260	85	3.00-4	2	150	2.0 / 30	plain bore	20	75	B04
PK 262/20-75G	260	85	3.00-4	2	150	2.0 / 30	plain bore	20	75	B02
PK 262/25-75G	260	85	3.00-4	2	150	2.0 / 30	plain bore	25	75	B02
PK 262/20-75R	260	85	3.00-4	2	150	2.0 / 30	roller bearing	20	75	B02
PK 262/25-75R	260	85	3.00-4	2	150	2.0 / 30	roller bearing	25	75	B02
PK 262/20-75K	260	85	3.00-4	2	150	2.0 / 30	ball bearing	20	75	B02
PK 302/20-75G	300	100	4.00-4	2	180	2.0 / 30	plain bore	20	75	B02
PK 302/25-75G	300	100	4.00-4	2	180	2.0 / 30	plain bore	25	75	B02
PK 302/20-75R	300	100	4.00-4	2	180	2.0 / 30	roller bearing	20	75	B02
PK 302/25-75R	300	100	4.00-4	2	180	2.0 / 30	roller bearing	25	75	B02
PK 302/20-75K	300	100	4.00-4	2	180	2.0 / 30	ball bearing	20	75	B02
PK 402/20-75G	400	100	4.00-8	2	250	2.0 / 30	plain bore	20	75	B07
PK 402/25-75G	400	100	4.00-8	2	250	2.0 / 30	plain bore	25	75	B07
PK 402/20-75R	400	100	4.00-8	2	250	2.0 / 30	roller bearing	20	75	B07
PK 402/25-75R	400	100	4.00-8	2	250	2.0 / 30	roller bearing	25	75	B07

Profile types: R = ribbed profile, B = zig-zag profile, see page 248 for image

### Versions / options



rim colour red

puncture-proof soft rubber wheels

Technical description page

62

Product code suffix

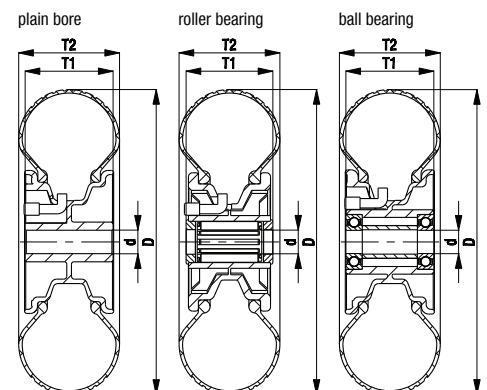
-ROT

VWPP series

Available for

wheel Ø 260–400 mm

see page 202



# P series, wheel Ø 180–300 mm

## Wheels with pneumatic tyres, with pressed steel rim



75–250 kg

**Tread and tyre hardness**

60 Shore A

**Smooth operation / floor preservation**

excellent

**Rolling resistance**

good

**Wear resistance**

satisfactory

**Tyre:**

- pneumatic tyre, ribbed or zig-zag profile, hardness 60 Shore A
- 2 or 4 ply rating, with inner tube
- maximum operational comfort
- excellent floor preservation, particularly quiet operation
- colour black

**Rim:**

- pressed steel
- with welded tubular steel hub
- zinc-plated, blue-passivated, Cr6-free

**Other features:**

- chemical resistance to many aggressive substances, except oils
- operating temperature: -20 °C to +50 °C
- the wheel and tyre dimensions provided here apply to new tyres that are not bearing a load. Their width and diameter may change when they are in use.
- speeds up to 16 km/h possible for wheels with ball bearing and reduced load capacity

**Additional details:**

- wheel series: page 64
- tread: page 54
- bearing types: page 84–85
- chemical resistance: page 51

Wheels	Wheel Ø (D) [mm]	Tyre width (T2) [mm]	Tyre size	Ply rating	Load capacity at 4 km/h [kg]	Load capacity at 16 km/h [kg]	Tyre pressure [bar / psi]	Bearing type	Axle bore Ø (d) [mm]	Hub length (T1) [mm]	Profile type
<b>Wheels with ribbed profile</b>											
P 180/20-48R-SG *	180	50	7 x 1 3/4	2	75	–	2.5 / 36	roller bearing	20	48	R01
P 200/20-48R	200	50	200x50	2	75	–	2.5 / 36	roller bearing	20	48	R01
P 200/20-60R	200	50	200x50	2	75	–	2.5 / 36	roller bearing	20	60	R01
P 220/20-75R	220	65	2.50-4	2	100	–	2.0 / 30	roller bearing	20	75	R01
P 261/20-50G	260	85	3.00-4	2	150	–	2.0 / 30	plain bore	20	50	R01
P 261/20-50R	260	85	3.00-4	2	150	–	2.0 / 30	roller bearing	20	50	R01
P 261/20-75R	260	85	3.00-4	2	150	–	2.0 / 30	roller bearing	20	75	R01
P 261/25-75R	260	85	3.00-4	2	150	–	2.0 / 30	roller bearing	25	75	R01
P 260/20-50K	260	85	3.00-4	2	150	100	2.0 / 30	ball bearing	20	50	R01
P 265/20-75R	260	85	3.00-4	4	250	–	3.5 / 50	roller bearing	20	75	R01
P 265/25-75R	260	85	3.00-4	4	250	–	3.5 / 50	roller bearing	25	75	R01
P 265/25-75K	260	85	3.00-4	4	250	200	3.5 / 50	ball bearing	25	75	R01
P 300/20-75R	300	100	4.00-4	2	180	–	2.0 / 30	roller bearing	20	75	R01
P 300/25-75K	300	100	4.00-4	2	180	120	2.0 / 30	ball bearing	25	75	R01
<b>Wheels with zig-zag profile</b>											
P 222/20-75R	220	65	2.50-4	2	100	–	2.0 / 30	roller bearing	20	75	B01
P 263/20-50G	260	85	3.00-4	2	150	–	2.0 / 30	plain bore	20	50	B02
P 263/20-50R	260	85	3.00-4	2	150	–	2.0 / 30	roller bearing	20	50	B02
P 263/20-75R	260	85	3.00-4	2	150	–	2.0 / 30	roller bearing	20	75	B02
P 263/25-75R	260	85	3.00-4	2	150	–	2.0 / 30	roller bearing	25	75	B02
P 262/20-50K	260	85	3.00-4	2	150	100	2.0 / 30	ball bearing	20	50	B02
P 267/20-75R	260	85	3.00-4	4	250	–	3.5 / 50	roller bearing	20	75	B02
P 267/25-75R	260	85	3.00-4	4	250	–	3.5 / 50	roller bearing	25	75	B02
P 267/25-75K	260	85	3.00-4	4	250	200	3.5 / 50	ball bearing	25	75	B02
P 302/20-75R	300	100	4.00-4	2	180	–	2.0 / 30	roller bearing	20	75	B02
P 302/25-75K	300	100	4.00-4	2	180	120	2.0 / 30	ball bearing	25	75	B02

\* With non-marking grey tyre

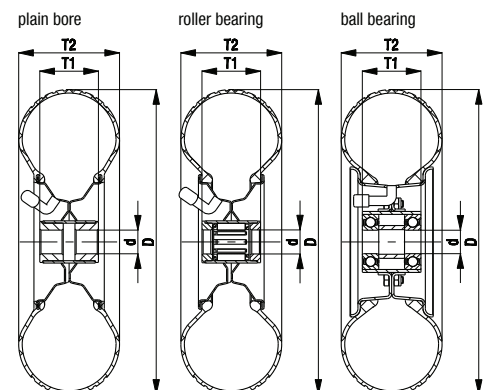
Profile types: R = ribbed profile, B = zig-zag profile, see page 248 for image

For other wheel Ø, see next page

### Versions / options



	with non-marking grey tyre	with puncture-proof, foam-filled tyres	puncture-proof soft rubber wheels
Technical description page	52	64	62
Product code suffix	-SG	-AG	VW series
Available for	wheel Ø 200–260 mm	upon request	see page 204



# P series, wheel Ø 310–415 mm

## Wheels with pneumatic tyres, with pressed steel rim



50–525 kg

**Tread and tyre hardness**

60 Shore A

**Smooth operation / floor preservation**

excellent

**Rolling resistance**

good

**Wear resistance**

satisfactory

**Tyre:**

- pneumatic tyre, ribbed or zig-zag profile, hardness 60 Shore A
- 2 or 4 ply rating, with inner tube
- maximum operational comfort
- excellent floor preservation, particularly quiet operation
- colour black

**Rim:**

- pressed steel
- with welded tubular steel hub
- lacquered, colour silver

**Other features:**

- chemical resistance to many aggressive substances, except oils
- operating temperature: -20 °C to +50 °C
- the wheel and tyre dimensions provided here apply to new tyres that are not bearing a load. Their width and diameter may change when they are in use.
- speeds up to 16 km/h possible for wheels with ball bearing and reduced load capacity

**Additional details:**

- wheel series: page 64
- tread: page 54
- bearing types: page 84–85
- chemical resistance: page 51

4

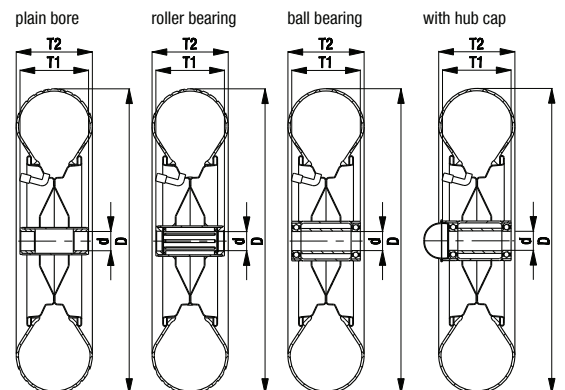
Wheels	Wheel Ø (D) [mm]	Tyre width (T2) [mm]	Tyre size	Ply rating	Load capacity at 4 km/h [kg]	Load capacity at 16 km/h [kg]	Tyre pressure [bar / psi]	Bearing type	Axle bore Ø (d) [mm]	Hub length (T1) [mm]	Profile type
<b>Wheels with ribbed profile</b>											
P 340/25-90K	350	115	4.00-6	4	300	230	3.5 / 50	ball bearing	25	90	R01
P 401/20-90G	400	100	4.00-8	2	250	–	2.0 / 30	plain bore	20	90	R01
P 401/25-90G	400	100	4.00-8	2	250	–	2.0 / 30	plain bore	25	90	R01
P 401/20-90R	400	100	4.00-8	2	250	–	2.0 / 30	roller bearing	20	90	R01
P 401/25-90R	400	100	4.00-8	2	250	–	2.0 / 30	roller bearing	25	90	R01
P 401/25-90K	400	100	4.00-8	2	250	190	2.0 / 30	ball bearing	25	90	R01
P 410/25-90R	400	100	4.00-8	4	350	–	3.5 / 50	roller bearing	25	90	R01
P 410/25-90K	400	100	4.00-8	4	350	300	3.5 / 50	ball bearing	25	90	R01
P 410/30-90K	400	100	4.00-8	4	350	300	3.5 / 50	ball bearing	30	90	R01
P 420/25-90K	415	115	4.00-8	4	525	390	3.5 / 50	ball bearing	25	90	R02
P 420/30-90K	415	115	4.00-8	4	525	390	3.5 / 50	ball bearing	30	90	R02
<b>Wheels with zig-zag profile</b>											
P 310/20-75K	310	50	12½ x 2¼	2	50	30	2.5 / 36	ball bearing	20	75	B05
P 320/25-75R	340	120	13 x 5.00-6	2	250	–	2.8 / 40	roller bearing	25	75	B06
P 403/20-90R	400	100	4.00-8	2	250	–	2.0 / 30	roller bearing	20	90	B07
P 403/25-90R	400	100	4.00-8	2	250	–	2.0 / 30	roller bearing	25	90	B07
P 403/25-90K	400	100	4.00-8	2	250	190	2.0 / 30	ball bearing	25	90	B07
P 412/25-90R	400	100	4.00-8	4	350	–	3.5 / 50	roller bearing	25	90	B07
P 412/25-90K	400	100	4.00-8	4	350	300	3.5 / 50	ball bearing	25	90	B07
P 412/30-90K	400	100	4.00-8	4	350	300	3.5 / 50	ball bearing	30	90	B07

Profile types: R = ribbed profile, B = zig-zag profile, see page 248 for image

### Versions / options



	with puncture-proof, foam-filled tyres	wheel with hub cap (end wheel)	hub fitting wheels
Technical description page	64	117	77
Product code suffix	-AG	-E	PA series
Available for	upon request	upon request	see page 548



## L-P, B-P series

### Pressed steel castors, medium-duty version, with top plate, wheel with pneumatic tyre



75–250 kg

**Bracket:** L/B series

- pressed steel, zinc-plated, blue-passivated, Cr6-free

**Swivel bracket:**

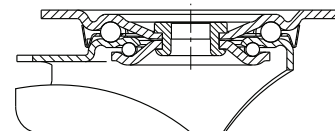
- double ball bearing in the swivel head
- strong central kingpin
- swivel head seal (exception: plate size 175x175 mm)
- minimum swivel head play and smooth rolling characteristic and increased service life due to the special dynamic Blickle riveting process

**Wheel:** P series

- tyre: pneumatic tyre with ribbed or zig-zag profile, hardness 60 Shore A, colour black, 2 or 4 ply rating
- rim: pressed steel, with welded tubular steel hub, zinc-plated, blue-passivated, Cr6-free
- swivel castors with brakes lose brake force if the tyre pressure is too low

**Additional details:**

- bracket series: page 91
- brakes: page 112–113
- wheel series: page 243
- bearing types: page 84–85



4

Swivel castors	Fixed castors	Swivel castor with "stop-top" brake	Wheel Ø [mm]	Tyre width [mm]	Load capacity [kg]	Bearing type	Total height [mm]	Plate size [mm]	Bolt hole spacing [mm]	Bolt hole Ø [mm]	Offset swivel castor [mm]	Profile type
L-P 200R	B-P 200R	L-P 200R-ST	200	50	75	roller bearing	235	140 x 110	105 x 75–80	11	65	R01
L-P 220R	B-P 220R	L-P 220R-ST	220	65	100	roller bearing	255	140 x 110	105 x 75–80	11	67	R01
L-P 222R	B-P 222R	L-P 222R-ST	220	65	100	roller bearing	255	140 x 110	105 x 75–80	11	67	B01
L-P 261R	B-P 261R	L-P 261R-ST	260	85	150	roller bearing	308	175 x 175	140 x 140	15	78	R01
L-P 263R		L-P 263R-ST	260	85	150	roller bearing	308	175 x 175	140 x 140	15	78	B02
L-P 265R	B-P 263R	L-P 265R-ST	260	85	150	roller bearing	308	220 x 120	190 x 75	15	–	B02
	B-P 265R		260	85	250	roller bearing	308	175 x 175	140 x 140	15	78	R01
L-P 267R	B-P 267R	L-P 267R-ST	260	85	250	roller bearing	308	220 x 120	190 x 75	15	–	R01
	B-P 267R	L-P 267R-ST	260	85	250	roller bearing	308	175 x 175	140 x 140	15	78	B02
	B-P 267R		260	85	250	roller bearing	308	220 x 120	190 x 75	15	–	B02

Profile types: R = ribbed profile, B = zig-zag profile, see page 248 for image

### Versions / options



	with non-marking grey tyre	with puncture-proof, foam-filled tyres	directional lock (separate) 1 x 360°	castors with puncture-proof soft rubber wheels
Technical description page	52		115	62
Product code suffix	<b>-SG</b>	<b>-AG</b>	<b>RI-05.03</b>	<b>L / B / BH-VW series</b>
Available for	all	upon request	wheel Ø 200 mm*	see page 205

\* Only for swivel castors without brake or swivel castor with "stop-top" brake upon request

## PS series

### Heavy-duty wheels with pneumatic tyres, with pressed steel rim



450–1,300 kg

#### Tread and tyre hardness

60 Shore A

#### Smooth operation / floor preservation

excellent

#### Rolling resistance

good

#### Wear resistance

satisfactory

#### Tyre:

- pneumatic tyre, zig-zag profile, hardness 60 Shore A
- 6, 8 or 10 ply rating, with inner tube
- maximum operational comfort
- excellent floor preservation, particularly quiet operation
- colour black

#### Rim:

- heavy pressed steel
- bolted (flat base rim)
- with welded tubular steel hub
- zinc-plated, blue-passivated, Cr6-free

#### Other features:

- chemical resistance to many aggressive substances, except oils
- operating temperature: -20 °C to +50 °C
- the wheel and tyre dimensions provided here apply to new tyres that are not bearing a load. Their width and diameter may change when they are in use.
- speeds up to 25 km/h with reduced load capacity

#### Additional details:

- wheel series: page 64
- tread: page 54
- bearing types: page 84–85
- chemical resistance: page 51

4

Wheels	Wheel Ø (D) [mm]	Tyre width (T2) [mm]	Tyre size	Ply rating	Load capacity at 4 km/h [kg]	Load capacity at 25 km/h [kg]	Tyre pressure [bar/psi]	Bearing type	Axle bore Ø (d) [mm]	Hub length (T1) [mm]	Profile type
PS 310/20-75K	300	100	4.00-4	6	450	350	7.5 / 110	ball bearing	20	75	B02
PS 310/25-75K	300	100	4.00-4	6	450	350	7.5 / 110	ball bearing	25	75	B02
PS 315/25-75K	305	105	4.00-4	6	550	400	7.5 / 110	ball bearing	25	75	B03
PS 430/25-90K	420	115	4.00-8	6	650	500	7.0 / 101	ball bearing	25	90	B08
PS 430/30-90K	420	115	4.00-8	6	650	500	7.0 / 101	ball bearing	30	90	B08
PS 432/30-90K	420	115	4.00-8	8	750	600	7.0 / 101	ball bearing	30	90	B08
PS 464/30-90K	460	145	5.00-8	8	1,140	770	7.0 / 101	ball bearing	30	90	B08
PS 536/35-120K	536	165	6.00-9	10	1,300	1,050	7.0 / 101	ball bearing	35	120	B08

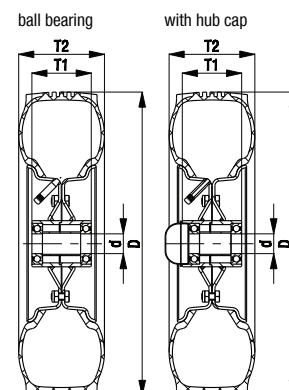
Profile type: B = zig-zag profile, image see page 248

### Versions / options



wheel with hub cap  
(end wheel)

Technical description page	117
Product code suffix	-E
Available for	upon request





## LS-P, BS-P, LS-PS, BS-PS series

### Welded steel heavy-duty castors, heavy-duty swivel head, heavy-duty wheel with pneumatic tyres

350–1,300 kg

**Bracket:** LS/BS series

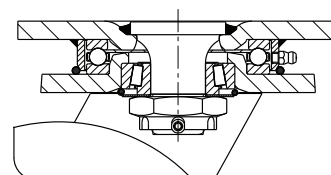
- particularly robust welded steel construction, zinc-plated, yellow-passivated, Cr6-free
- Swivel bracket:
  - axial grooved ball bearing ISO 104 and tapered roller bearing ISO 355 in the swivel head
  - bolted and secured welded central kingpin, extremely strong
  - dust and splash-proof
  - grease nipple

**Wheel:** P/PS series

- tyre: pneumatic tyre with ribbed or zig-zag profile, hardness 60 Shore A, colour black, 2 to 10 ply rating
- rim: P series: pressed steel, with welded tubular steel hub, lacquered, colour silver  
PS series: heavy pressed steel, bolted (flat base rim), with welded tubular steel hub, zinc-plated, blue-passivated, Cr6-free
- swivel castors with brakes lose brake force if the tyre pressure is too low

**Additional details:**

- bracket series: page 94
- brakes: page 112–113
- wheel series: page 244, 246
- bearing types: page 84–85



4

Swivel castors	Fixed castors	Wheel Ø [mm]	Tyre width [mm]	Load capacity [kg]	Bearing type	Total height [mm]	Plate size [mm]	Bolt hole spacing [mm]	Bolt hole Ø [mm]	Offset swivel castor [mm]	Profile type
LS-PS 310K	BS-PS 310K	300	100	450	ball bearing	355	200 x 160	160 x 120	14	85	B02
LS-PS 315K	BS-PS 315K	305	105	550	ball bearing	358	200 x 160	160 x 120	14	85	B03
LS-P 410K	BS-P 410K	400	100	350	ball bearing	470	200 x 160	160 x 120	14	100	R01
LS-P 420K	BS-P 420K	415	115	525	ball bearing	478	200 x 160	160 x 120	14	100	R02
LS-PS 430K	BS-PS 430K	420	115	650	ball bearing	480	200 x 160	160 x 120	14	100	B08
LS-PS 432K	BS-PS 432K	420	115	750	ball bearing	480	200 x 160	160 x 120	14	100	B08
LS-PS 464K	BS-PS 464K	460	145	1,140	ball bearing	520	200 x 160	160 x 120	14	110	B08
LS-PS 536K	BS-PS 536K	536	165	1,300	ball bearing	623	255 x 200	210 x 160	18	120	B08
	BS-PS 536K	536	165	1,300	ball bearing	623	255 x 220	210 x 160	18	–	B08

Profile types: R = ribbed profile, B = zig-zag profile, see page 248 for image

### Versions / options



	with "Radstop" wheel brake	with directional lock 4 x 90°
Technical description page	113	115
Product code suffix	-RA	-RI4
Available for	upon request	wheel Ø 300–460 mm

**Profile types  
of pneumatic tyres**

**Ribbed profile**

4



R01



R02

**Zig-zag profile**



B01



B02



B03



B04



B05



B06



B07



B08

## VLE series

**Heavy-duty wheels  
with super-elastic solid rubber tyres,  
with pressed steel rim**



450–1,885 kg

**Tread and tyre hardness**

70 Shore A

**Smooth operation / floor preservation**

very good

**Rolling resistance**

good

**Wear resistance**

good

**Tyre:**

- super-elastic solid rubber, steel-wire reinforced, hardness 70 Shore A
- very good operational comfort
- very good floor preservation, low-noise operation
- colour black
- wheel Ø 250–306 mm: 2-component tyre, highly-elastic, abrasion-resistant tread
- wheel Ø 405–525 mm: 3-component tyre, highly-elastic cushion layer, abrasion-resistant tread

**Rim:**

- heavy pressed steel
- bolted, with welded tubular steel hub or reinforced rim version
- zinc-plated, blue-passivated, Cr6-free

**Other features:**

- chemical resistance to many aggressive substances, except oils
- operating temperature: -20 °C to +80 °C, temporarily up to +100 °C, reduced load capacity over +60 °C
- puncture-proof, maintenance-free

**Additional details:**

- wheel series: page 65
- tread: page 54
- bearing types: page 84–85
- chemical resistance: page 51

Wheels	Wheel Ø (D) [mm]	Tyre width (T2) [mm]	Tyre size	Rim dimensions	Load capacity at 6 km/h [kg]	Load capacity at 25 km/h [kg]	Bearing type	Axle bore Ø (d) [mm]	Hub length (T1) [mm]	Profile type
<b>Wheels with ribbed profile</b>										
VLE 250/20-75K	250	85	3.00-4	2.50C-4	450	400	ball bearing	20	75	R50
VLE 250/25-75K	250	85	3.00-4	2.50C-4	450	400	ball bearing	25	75	R50
VLE 252/25-75K *	250	85	3.00-4	2.50C-4	600	475	ball bearing	25	75	R50
VLE 305/20-75K	306	105	4.00-4	2.50C-4	450	400	ball bearing	20	75	R50
VLE 305/25-75K	306	105	4.00-4	2.50C-4	450	400	ball bearing	25	75	R50
VLE 307/25-75K *	306	105	4.00-4	2.50C-4	700	535	ball bearing	25	75	R50
VLE 405/25-90K	405	105	4.00-8	3.00D-8	950	730	ball bearing	25	90	R50
VLE 405/30-90K	405	105	4.00-8	3.00D-8	950	730	ball bearing	30	90	R50
<b>Wheels with zig-zag profile</b>										
VLE 255/20-75K	250	85	3.00-4	2.50C-4	450	400	ball bearing	20	75	B51
VLE 255/25-75K	250	85	3.00-4	2.50C-4	450	400	ball bearing	25	75	B51
VLE 257/25-75K *	250	85	3.00-4	2.50C-4	600	475	ball bearing	25	75	B51
VLE 310/20-75K	306	105	4.00-4	2.50C-4	450	400	ball bearing	20	75	B50
VLE 310/25-75K	306	105	4.00-4	2.50C-4	450	400	ball bearing	25	75	B50
VLE 312/25-75K *	306	105	4.00-4	2.50C-4	700	535	ball bearing	25	75	B50
VLE 410/25-90K	405	105	4.00-8	3.00D-8	950	730	ball bearing	25	90	B50
VLE 410/30-90K	405	105	4.00-8	3.00D-8	950	730	ball bearing	30	90	B50
VLE 460/30-90K	455	120	5.00-8	3.00D-8	1,415	1,090	ball bearing	30	90	B50
VLE 530/45-120K	525	140	6.00-9	4.00E-9	1,885	1,450	ball bearing	45	120	B50

\* Reinforced rim design

The wheel and tyre dimensions provided here apply to new tyres that are not bearing a load. The dimensions may change when they are in use.

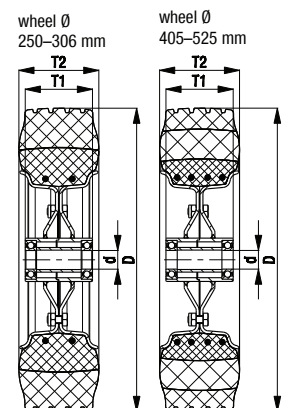
Profile types: R = ribbed profile, B = zig-zag profile, see page 252 for image

Other dimensions available upon request

### Versions / options



	with non-marking grey tyre	antistatic version, black tyres	wheel with hub cap (end wheel)	hub fitting wheels	other versions
Technical description page	52	50	117	77	
Product code suffix	-SG	-AS	-E	VLEA series	
Available for	upon request	upon request	upon request	see page 549	upon request



## L-VLE, B-VLE series

**Pressed steel castors, medium-duty version, with top plate, heavy-duty wheel with super-elastic solid rubber tyres**



450 kg

**Bracket:** L/B series

- pressed steel, zinc-plated, blue-passivated, Cr6-free

**Swivel bracket:**

- double ball bearing in the swivel head
- strong central kingpin
- minimum swivel head play and smooth rolling characteristic and increased service life due to the special dynamic Blickle riveting process

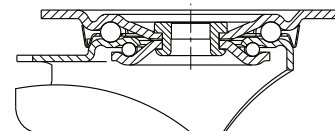
**Wheel:** VLE series

- tyre: super-elastic solid rubber, hardness 70 Shore A, colour black, 2-component tyre, highly-elastic, abrasion-resistant tread
- rim: heavy pressed steel, zinc-plated, blue-passivated, Cr6-free

**Additional details:**

- bracket series: page 91
- brakes: page 112–113
- wheel series: page 249
- bearing types: page 84–85

4



Swivel castors	Fixed castors	Swivel castor with "stop-top" brake	Wheel Ø [mm]	Tyre width [mm]	Load capacity [kg]	Bearing type	Total height [mm]	Plate size [mm]	Bolt hole spacing [mm]	Bolt hole Ø [mm]	Offset swivel castor [mm]	Profile type
L-VLE 250K	B-VLE 250K	L-VLE 250K-ST	250	85	450	ball bearing	295	175 x 175	140 x 140	15	70	R50
L-VLE 255K		L-VLE 255K-ST	250	85	450	ball bearing	295	175 x 175	140 x 140	15	70	B51
	B-VLE 255K		250	85	450	ball bearing	295	220 x 120	190 x 75	15	–	B51

Profile types: R = ribbed profile, B = zig-zag profile, see page 252 for image

### Versions / options



	with non-marking grey tyre	antistatic version, black tyres
Technical description page	52	50
<b>Product code suffix</b>	<b>-SG</b>	<b>-AS</b>
Available for	upon request	upon request

## LS-VLE, BS-VLE series

**Welded steel heavy-duty castors, heavy-duty swivel head, heavy-duty wheel with super-elastic solid rubber tyres**



450–1,885 kg

**Bracket:** LS/BS series

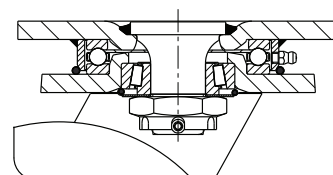
- particularly robust welded steel construction, zinc-plated, yellow-passivated, Cr6-free
- Swivel bracket:
  - axial grooved ball bearing ISO 104 and tapered roller bearing ISO 355 in the swivel head
  - bolted and secured welded central kingpin, extremely strong
  - dust and splash-proof
  - grease nipple

**Wheel:** VLE series

- tyre: super-elastic solid rubber, hardness 70 Shore A, colour black. wheel Ø 250–306 mm: 2-component tyre, highly-elastic, abrasion-resistant tread. wheel Ø 405–525 mm: 3-component tyre, highly-elastic cushion layer, abrasion-resistant tread
- rim: heavy pressed steel, zinc-plated, blue-passivated, Cr6-free

**Additional details:**

- bracket series: page 94
- brakes: page 112–113
- wheel series: page 249
- bearing types: page 84–85



4

Swivel castors	Fixed castors	Swivel castor with "stop-top" brake	Wheel Ø [mm]	Tyre width [mm]	Load capacity at 6 km/h [kg]	Bearing type	Total height [mm]	Plate size [mm]	Bolt hole spacing [mm]	Bolt hole Ø [mm]	Offset swivel castor [mm]	Profile type
LS-VLE 250K	BS-VLE 250K	LS-VLE 250K-ST	250	85	450	ball bearing	305	175 x 140	140 x 105	14	75	R50
LS-VLE 252K *	BS-VLE 252K *	LS-VLE 252K-ST *	250	85	600	ball bearing	305	175 x 140	140 x 105	14	75	R50
LS-VLE 255K	BS-VLE 255K	LS-VLE 255K-ST	250	85	450	ball bearing	305	175 x 140	140 x 105	14	75	B51
LS-VLE 257K *	BS-VLE 257K *	LS-VLE 257K-ST *	250	85	600	ball bearing	305	175 x 140	140 x 105	14	75	B51
LS-VLE 305K	BS-VLE 305K	**	306	105	450	ball bearing	358	200 x 160	160 x 120	14	85	R50
LS-VLE 307K *	BS-VLE 307K *	**	306	105	700	ball bearing	358	200 x 160	160 x 120	14	85	R50
LS-VLE 310K	BS-VLE 310K	**	306	105	450	ball bearing	358	200 x 160	160 x 120	14	85	B50
LS-VLE 312K *	BS-VLE 312K *	**	306	105	700	ball bearing	358	200 x 160	160 x 120	14	85	B50
LS-VLE 405K	BS-VLE 405K	**	405	105	950	ball bearing	473	200 x 160	160 x 120	14	100	R50
LS-VLE 410K	BS-VLE 410K	**	405	105	950	ball bearing	473	200 x 160	160 x 120	14	100	B50
LS-VLE 460K	BS-VLE 460K	**	455	120	1,415	ball bearing	518	200 x 160	160 x 120	14	110	B50
LS-VLE 530K	BS-VLE 530K	**	525	140	1,885	ball bearing	618	255 x 200	210 x 160	18	120	B50
			525	140	1,885	ball bearing	618	255 x 220	210 x 160	18	–	B50

\* Reinforced rim design

\*\* "Radstop" brake version

Profile types: R = ribbed profile, B = zig-zag profile, see page 252 for image

### Versions / options



	with non-marking grey tyre	antistatic version, black tyres	with "Radstop" wheel brake	with directional lock 4 x 90°
Technical description page	52	50	113	115
<b>Product code suffix</b>	<b>-SG</b>	<b>-AS</b>	<b>-RA</b>	<b>-RI4</b>
Available for	upon request	upon request	upon request	wheel Ø 250–455 mm

**Profile types  
of super-elastic solid rubber tyres**

**Ribbed profile**

4



R50

**Zig-zag profile**



B50



B51